

# JN55C

## Industrial Coil Nailer

### ● Weight :

- 2.63 kg(5.8 lbs)

### ● Dimensions :

- H : 10-19/32" (269mm)

- L : 10-3/4" (273mm)

- W : 5-5/16" (135mm)

### ● Nail Capacity :

- 1Roll (300~400 pcs)

### ● Applications :

- Making wooden crate
- Fencing
- Making and Repairing Pallets
- Siding, Decking and Sheathing

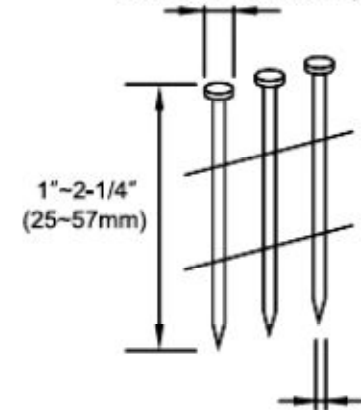


### ● Fasteners :

- BOSTITCH : N57C
- MAX : CN55 Series
- SENCO : PalletPro 57F

### 15 Degree Flat Wire Welded Nails

Head Diameter  $\varnothing.197'' \sim \varnothing.244''$   
( $\varnothing 5.0\text{mm} \sim \varnothing 5.7\text{mm}$ )



Shank Diameter  $\varnothing.083'' \sim \varnothing.090''$   
( $\varnothing 2.1\text{mm} \sim \varnothing 2.3\text{mm}$ )